

# DAILY CLEANING & MAINTENANCE OF YOUR AIRBRUSH IS CRITICAL TO ITS CONTINUED CORRECT OPERATION.

**Follow these simple steps to insure your maintain top performance from your airbrush.**

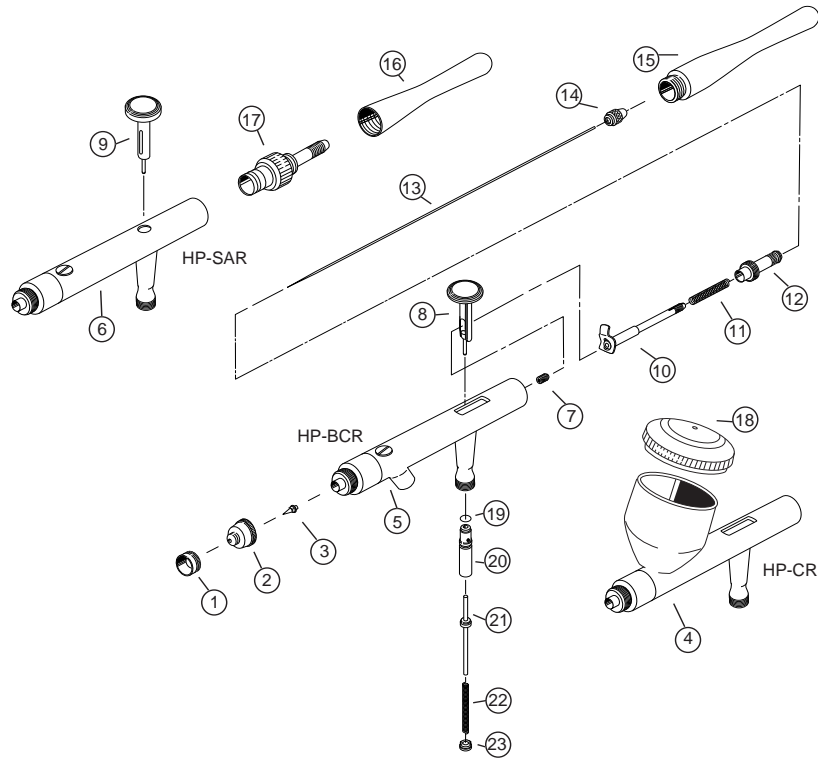
- Completely rinse out your airbrush each day with warm water.
- Norvell Sunless Solution is a sugar based product. As with any natural product, residue of our solution left inside the airbrush can block airflow and possibly allow bacteria to form.
- Be sure to thoroughly clean the inside of the cap, gasket and bottle with warm water.
- Remove the air hose from the airbrush. Hold the airbrush upside down under running water. Allow water to flow through solution intake hole and the air intake stem while working the airbrush button up and down and back and forth. You must work the button to allow water to flow into the air intake

stem. This will flush out solution that may have flowed back along the needle to the air intake stem.

- If further cleaning is needed, submerge the airbrush in warm (not hot) water for about 5 minutes. Operate the button and needle while in the water.
- Then repeat cleaning instructions above.
- For further information, carefully read, and follow the manufacturers maintenance and cleaning procedure as instructed in the user's manual included with your airbrush.

**WARRANTY DOES NOT COVER REPAIRS CAUSED BY LACK OF MAINTENANCE OR IMPROPER USE OR DAMAGE CAUSED BY DROPPING.**

# IWATA Revolution BCR, CR, & SAR PARTS



| #  | ITEM DESCRIPTION                        | PRICE CODE | ITEM #             | BCR | CR | SAR | Also Fits |
|----|---|------------|--------------------|-----|----|-----|-----------|
| 1  | Needle Cap                              | A          | I 701 1            | 1   | 1  | 1   |           |
| 2  | Nozzle Cap                              | C          | I 702 1            | 1   | 1  | 1   |           |
| 3  | Nozzle (0.50 mm)                        | C          | I 704 1            | 1   | 1  | 1   |           |
| 4  | Body HP-CR                              | J          | I 706 2            |     | 1  |     |           |
| 5  | Body HP-BCR                             | J          | I 706 1            | 1   |    |     |           |
| 6  | Body HP-SAR                             | J          | I 706 3            |     |    | 1   |           |
| 7  | Needle Packing Screw w/packing          | B          | I 725 1            | 1   | 1  | 1   |           |
| 8  | Main Lever BCR, CR                      | C          | I 612 1            | 1   | 1  |     |           |
| 9  | Main Lever SAR                          | C          | I 612 2            |     |    | 1   |           |
| 10 | Needle Chucking Guide - With Aux. Lever | C          | I 715 1            | 1   | 1  |     |           |
| 11 | Needle Spring                           | A          | I 135 1            | 1   | 1  |     | HP-BS     |
| 12 | Spring Guide                            | A          | I 770 1            | 1   | 1  |     |           |
| 13 | Needle                                  | B<br>B     | I 717 1<br>I 717 2 | 1   | 1  | 1   | HP-BCS    |
| 14 | Needle Chuck Nut                        | A          | I 120 2            | 1   | 1  |     | HP-B,A    |
| 15 | Handle BCR, CR                          | D          | I 719 1            | 1   | 1  |     |           |
| 16 | Handle SAR                              | D          | I 719 2            |     |    | 1   |           |
| 17 | Fluid Adjustment Knob                   | C          | I 722 1            |     |    | 1   |           |
| 18 | Lid CR                                  | C          | I 718 1            |     | 1  |     |           |
| 19 | Packing Valve Piston (O-ring)           | B          | I 580 1            | 1   | 1  | 1   | HP-BCS    |
| 20 | Valve Guide w/ O-Ring                   | B          | I 608 1            | 1   | 1  | 1   | HP-BCS    |

| #  | ITEM DESCRIPTION   | PRICE CODE | ITEM #  | BCR | CR  | SAR | Also Fits |
|----|--|------------|---------|-----|-----|-----|-----------|
| 21 | Valve w/ O-Ring  | A          | I 609 1 | 1   | 1   | 1   | HP-BCS    |
| 22 | Valve Spring   | A          | I 035 1 | 1   | 1   | 1   | HP-BCS    |
| 23 | Valve Guide Screw  | B          | I 711 1 | 1   | 1   | 1   |           |
|    | Spanner  | A          | I 765 1 | 1   | 1   | 1   |           |
|    | Pre Set Handle   | G          | I 155 2 | Opt | Opt |     |           |
|    | Bottles 2 oz. (see price list for other sizes)   |            | I 470 2 | 1   |     | 1   |           |
|    | Quick Fit Set (quick disconnect that screws onto the airhose and an adaptor that screws onto the airbrush) |            | I 160 3 | Opt | Opt | Opt |           |
|    | Quick Fit Adaptor (adaptor that screws onto the airbrush)  |            | I 160 4 | Opt | Opt | Opt |           |
|    | Airhose Adaptor (Iwata airbrushes to Paasche airhose)  |            | J 001   | Opt | Opt | Opt |           |
|    | Airhose Adaptor (Iwata airbrushes to T & C/Badger airhoses)  |            | J 002   | Opt | Opt | Opt |           |