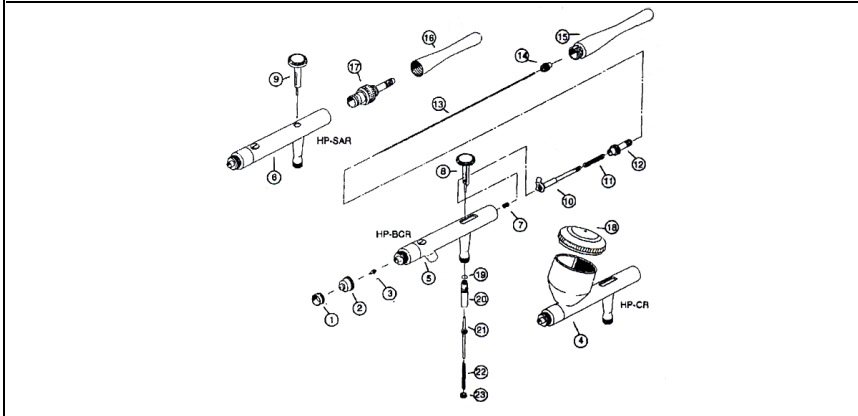




IWATA Revolution BCR parts



NUMBER	ITEM DESCRIPTION	ITEM #	RETAIL
1	NEEDLE CAP	17011	\$5.00
2	NOZZLE CAP	17021	\$11.00
3	NOZZLE (0.50MM)	17041	\$22.00
5	BODY HP-BCR	17061	\$89.00
7	NEEDLE PACKING SCREW	17251	\$8.00
8	MAIN LEVER BCR	16121	\$11.00
10	NEEDLE,CHUCKING GUIDE WITH AUX. LEVER	17151	\$11.00
11	NEEDLE SPRING	11351	\$5.00
12	SPRING GUIDE	17701	\$5.00
13	NEEDLE	17171	\$8.00
14	NEEDLE CHUCK NUT	11202	\$5.00
15	HANDLE BCR	17191	\$16.00
19	PACKING VALVE PISTON (O-RING)	15801	\$8.00
20	VALVE GUIDE W/O-RING	16081	\$8.00
21	VALVE W/O-RING	16091	\$5.00
22	VALVE SPRING	10351	\$5.00
23	VALVE GUIDE SCREW	17111	\$8.00
	SPANNER	17651	\$5.00
	PRE SET HANDLE	11552	\$33.00
	CROWN CAP	11050	\$16.00
	GLASS BOTTLES		
	3/4 OZ	14052	\$33.00
	1 1/2 OZ	14202	\$33.00

Norvell Sunless, 115 Edgewood Street, Alexandria, TN 888.829.2831 [www.bodyinvest.com](http://www.bodyinvest.com)

All prices and availability are subject to change without prior notice. BodyInvest retains the right to correct pricing or printing errors.

THERE ARE NO DISCOUNTS GIVEN ON ANY REPLACEMENT PARTS.

© 2003 BodyInvest, LLC. All rights reserved